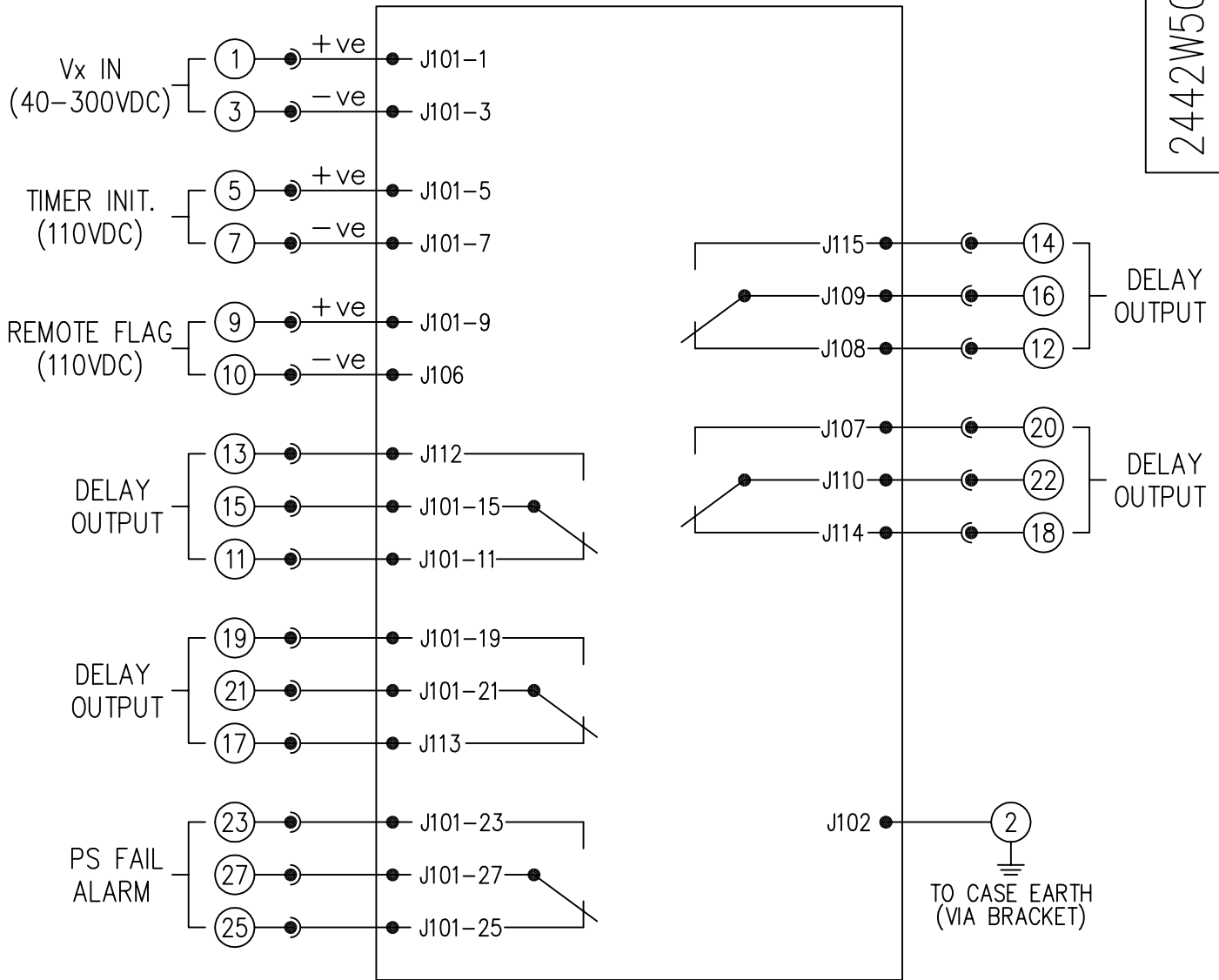


2442W50007

TIMER P.C.B.



(25) CASE OUTER TERMINAL

FOR INFORMATION ONLY
UNCONTROLLED COPY
NOT SUBJECT TO UPDATE

FRAME REFERENCE E2FAOH
FRAME TERMINAL BLOCK ASSY: -

ASSEMBLY INSTRUCTIONS: -
TYPICAL ASSEMBLY DRAWING 2995G10032.
AT INDICATED POSITIONS FIT AS FOLLOWS,
T - FIT TRIP ISOLATION CONTACT 2995B10053.
S - FIT STANDARD CONTACT 2995B10054.
SECURE CONTACTS USING FIXING SCREW
2109F99009.
POSITIONS SHOWN BLANK ARE UNUSED.

2	S	S	1
4		S	3
6		S	5
8		S	7
10	S	S	9
12	S	S	11
14	S	S	13
16	S	S	15
18	S	S	17
20	S	S	19
22	S	S	21
24		S	23
26		S	25
28		S	27

VIEW FROM NUMBERED
SIDE OF BLOCK

OUTER TERMINAL BLOCK ASSY: -

ASSEMBLY INSTRUCTIONS: -
TYPICAL ASSEMBLY DRAWING 2995G10029.
AT INDICATED POSITIONS FIT AS FOLLOWS,
S - FIT STANDARD CONTACT 2995B10051
HC - FIT 'HEAVY CURRENT' KIT 2995G10030.
WHERE $\circ-\circ$ IS SHOWN FIT CT SHORTING
KIT 2995G10031
POSITIONS SHOWN BLANK ARE UNUSED
ALL POSITIONS FIT SCREW 2106F12506

2	S	S	1
4	S	S	3
6	S	S	5
8	S	S	7
10	S	S	9
12	S	S	11
14	S	S	13
16	S	S	15
18	S	S	17
20	S	S	19
22	S	S	21
24	S	S	23
26	S	S	25
28	S	S	27

VIEW FROM INSIDE
FACE

			Title. TERMINAL BLOCK AND WIRING DIAG. FOR DDB20 4C/O IN SIZE 2 CASE.		First used on:	
			Reyrolle Protection Hebburn.		Similar Articles:	
					Supersedes:	
1	21/03/05		Original Scale. .		Drg.No. 2442W50007	
ISSUE	DATE	MOD.No.			Copyright © 2005 Reyrolle Ltd.	
DRAWN: RDW		CHECKED: RDW	APPROVED: R.D.WATSON	DATE: 22/03/05		